



## SG12A type sequence valve - 4 way

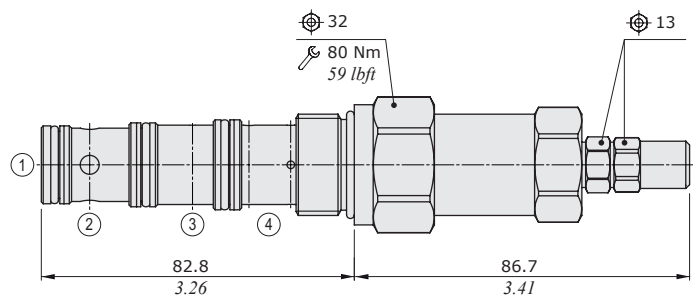
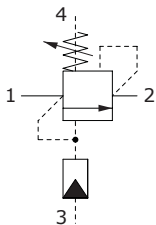
- Direct acting
- Poppet type
- External pilot and drain

Technical specifications and diagrams are measured with mineral oil of 46 cSt viscosity at 40°C (104°F) temperature.

### SG12A

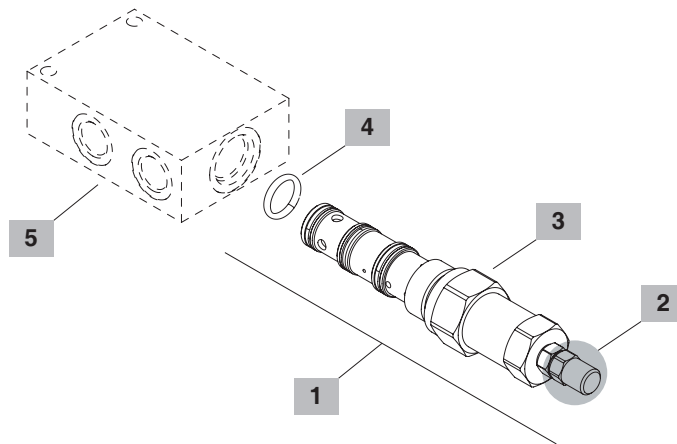
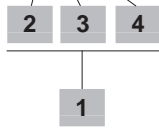
Nominal flow	50 l/min (13 US gpm)	
Max. pressure	300 bar (4350 psi)	
Oil leakage	-	
Fluid	mineral based oil	
Viscosity	10-200 cSt	
Max level of contamination	20/18/14 ISO4406	
Fluid temperature	with NBR seals with FPM seals	from -20°C (-4°F) to 80°C (176°F) from -20°C (-4°F) to 100°C (212°F)
Environmental temp. for working conditions	from -20°C (-4°F) to 50°C (122°F)	
Cavity	SAE 12/4	
Weight	0.52 kg (1.15 lb)	

NOTE - For different conditions, please contact Walvoil Sales Dpt.



## Ordering codes and description composition

### SG12A/1S1B



#### 1 Cartridges

TYPE	CODE	DESCRIPTION
<b>SAE cavity 12/4</b>		
<b>SG12A/1S1B</b>	OSG12002000	Cartridge pres. sett. <b>1</b>
<b>SG12A/1S2B</b>	OSG12002002	Cartridge pres. sett. <b>2</b>
<b>SG12A/1S3B</b>	OSG12002001	Cartridge pres. sett. <b>3</b>

#### 2 Adjustments

TYPE	DESCRIPTION
<b>S</b>	Screw

#### 3 Pressure settings

Standard setting is referred to at 1 l/min (0.26 US gpm) flow

TYPE	DESCRIPTION
<b>1</b>	Range 20÷100 bar (290÷1450 psi); Std. setting 50 bar (725 psi)
<b>2</b>	Range 50÷200 bar (725÷2900 psi); Std. setting 150 bar (2200 psi)
<b>3</b>	Range 100÷300 bar (1450÷4350 psi); Std. setting 250 bar (3600 psi)

#### 4 Seals

TYPE	DESCRIPTION
<b>B</b>	<b>NBR (Buna)</b> o-ring seals, std configuration
<b>V</b>	<b>FPM (Viton)</b> o-ring seals, contact Sales Dept.

#### 5 Valve body

TYPE	CODE	DESCRIPTION
<b>SAE 12/4-G 1/2</b>	3CC1240D11	Aluminium body for cavity 12 valve, G 1/2 std thread

Note: aluminium body can stand up to 210 bar (3050 psi)  
For steel bodies or different threading see from page 219

## Rating diagrams

SG12A pressure drop vs. flow 1->2

