



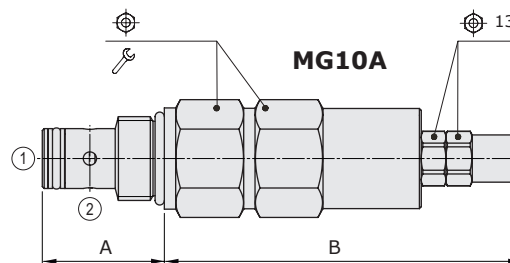
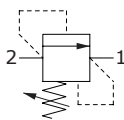
## MG..A type pressure relief valve - 2 way

- Differential operated
- Poppet type

Technical specifications and diagrams are measured with mineral oil of 46 cSt viscosity at 40°C (104°F) temperature.

		MG10A	MG12A
Nominal flow		60 l/min (15.8 US gpm)	100 l/min (26.4 US gpm)
Max. pressure		350 bar (5100 psi)	
Oil leakage	80% of max. pressure setting	2 cm <sup>3</sup> /min (0.122 in <sup>3</sup> /min)	
Fluid		mineral based oil	
Viscosity		10-200 cSt	
Max level of contamination		20/18/14 ISO4406	
Fluid temperature	with NBR seals with FPM seals	from -20°C (-4°F) to 80°C (176°F) from -20°C (-4°F) to 100°C (212°F)	
Environmental temp. for working conditions		from -20°C (-4°F) to 50°C (122°F)	
Cavity		SAE 10/2	SAE 12/2
Weight		0.34 kg (0.75 lb)	0.87 kg (1.92 lb)

NOTE - For different conditions, please contact Walvoil Sales Dpt.

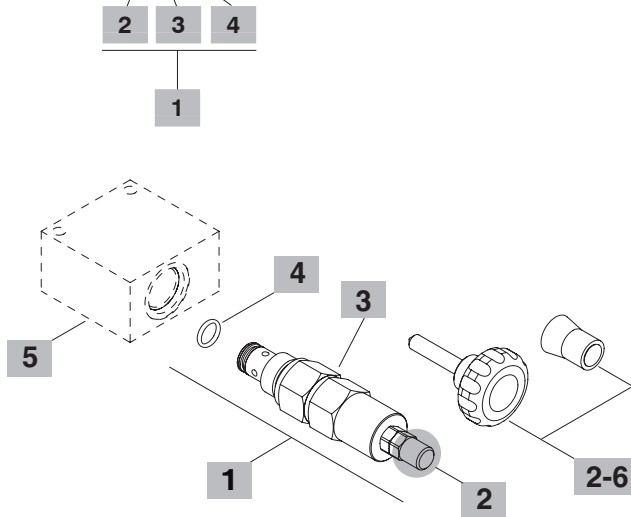


Valve type	A		B		⌀	⌘	Nm	lbft
	mm	in	mm	in				
MG10A/OS	32.3	1.27	94.5	3.72	27	50	37	
MG12A/OS	46	1.81	126.5	4.98	36	80	59	

For dimensions with different type of adjustment see page 212

### Ordering codes and description composition

#### MG10A/OS1B



#### 3 Pressure range

Standard setting is referred to 5 l/min (1.32 US gpm) flow

TYPE	DESCRIPTION
<b>1</b>	For SAE cavity 10/2: pressure range 30÷100 bar (435÷1450 psi); Std. setting 80 bar (1160 psi) For SAE cavity 12/2: pressure range 20÷100 bar (290÷1450 psi); Std. setting 50 bar (725 psi)
<b>2</b>	Pressure range 50÷200 bar (725÷2900 psi); Std. setting 150 bar (2175 psi)
<b>3</b>	Pressure range 150÷350 bar (2175÷5100 psi); Std. setting 250 bar (3625 psi)
<b>4</b>	Pressure range 5÷60 bar (72.5÷870 psi); Std. setting 30 bar (435 psi), only for SAE cavity 10/2

#### 4 Seals

TYPE	DESCRIPTION
<b>B</b>	<b>NBR (Buna)</b> o-ring seals, std configuration
<b>V</b>	<b>FPM (Viton)</b> o-ring seals, contact Sales Dept.

#### 5 Valve body

TYPE	CODE	DESCRIPTION
<b>SAE 10/2-SAE8</b>	3CC1020K11	Aluminium body for cavity 10 valve, SAE8 std thread
<b>SAE 12/2-SA10</b>	3CC1220L11	Aluminium body for cavity 12 valve, SAE10 std thread

Note: aluminium body can stand up to 210 bar (3050 psi)  
For steel bodies or different threading see from page 215

#### 6 Accessories

TYPE	CODE	DESCRIPTION
-	4VL2407100	Handwheel
-	4COP120420	Antitampering cap

#### 1 Cartridges

TYPE	CODE	DESCRIPTION
<b>SAE cavity 10/2</b>		
<b>MG10A/OS1B</b>	OMG10002009	Pressure range <b>1</b>
<b>MG10A/OS2B</b>	OMG10002002	Pressure range <b>2</b>
<b>MG10A/OS3B</b>	OMG10002003	Pressure range <b>3</b>
<b>MG10A/OS4B</b>	OMG10002001	Pressure range <b>4</b>
<b>SAE cavity 12/2</b>		
<b>MG12A/OS1B</b>	OMG12002000	Pressure range <b>1</b>
<b>MG12A/OS2B</b>	OMG12002001	Pressure range <b>2</b>
<b>MG12A/OS3B</b>	OMG12002002	Pressure range <b>3</b>

#### 2 Adjustments

TYPE	DESCRIPTION
<b>S</b>	Screw with cap
<b>V</b>	With handwheel (part code: see point <b>6</b> )
<b>X</b>	Valve set with antitampering cap (part code: see point <b>6</b> )

### Rating diagrams

