



Handle Series J

- Cylindrical Ø 30 mm / Ø 1.18 in Nylon®
- ON/OFF control with push button or rocker switch

General features

Cap material	Neoprene
Body material	Nylon®
IP weather protection (assembled)	IP44
Ambient temperature	from -20°C to 60°C / from -4°F to 140°F

Electric devices features

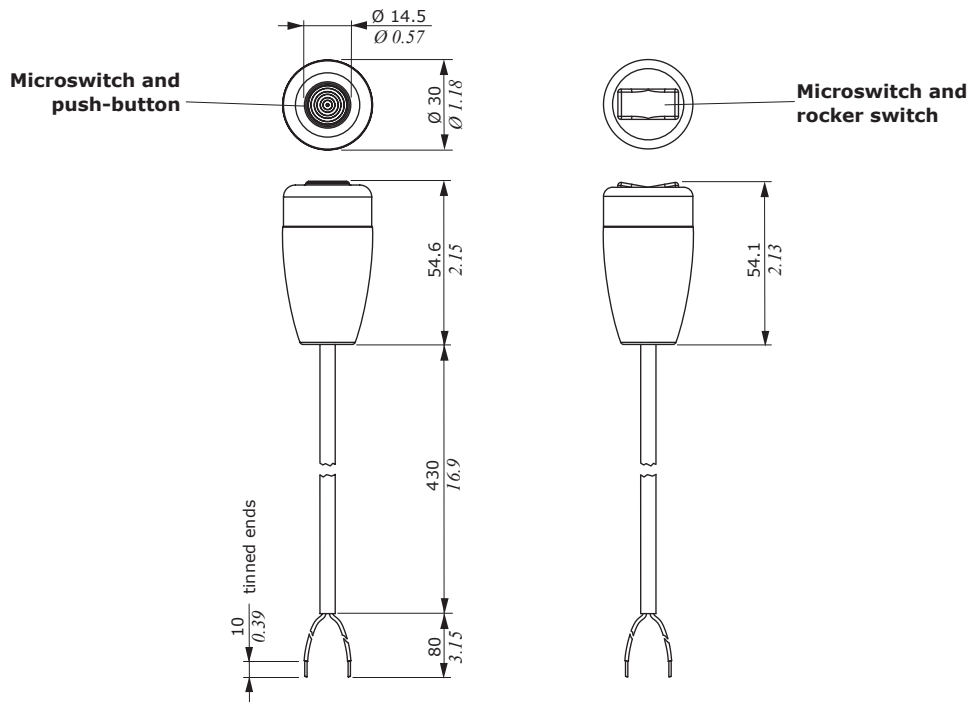
ON/OFF push-button

Version	Spring return
Contact type	NO
Current rating	6 A resistive load - @ 30 VDC
Electric life (nr. of operations)	5x10 ⁴

Cables

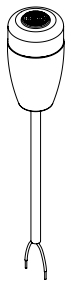
Conductor material	Copper with tinned ends
Conductor section	AWG20
Insulating material	PVC
Protective covering material	PVC

Dimensions



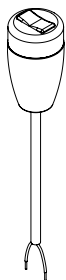
Configurations

Push-button control



Code	5IMP110000
Description	JJI/C
Configuration	Push-button control
Scheme	

Rocker switch control



Code	5IMP210000	5IMP310000	5IMP410000	5IMP510000	5IMP610000
Description	JLI/C	JMI/C	JNI/C	JPI/C	JQI/C
Configuration	ON/OFF detent	ON/OFF/ON detent	(OFF)/ON Spring return	(ON)/OFF/ON Spring return in one direction and detent in the other direction	(ON)/OFF/(ON) Spring return
Scheme					

NOTE - For different joint see page 4.

For different handle configurations, contact our Sales Dept.