



walvoil
MOTION BY PEOPLE

NEW

SLV141

Self-Leveling Valves for Skid Steer Loaders, Compact Wheel Loaders, Tractors and others agricultural machines



SLV141

- Cast iron body for high strength and reliability
- Compact and flexible
- Easy adjusting and calibrating
- Low pressure drop



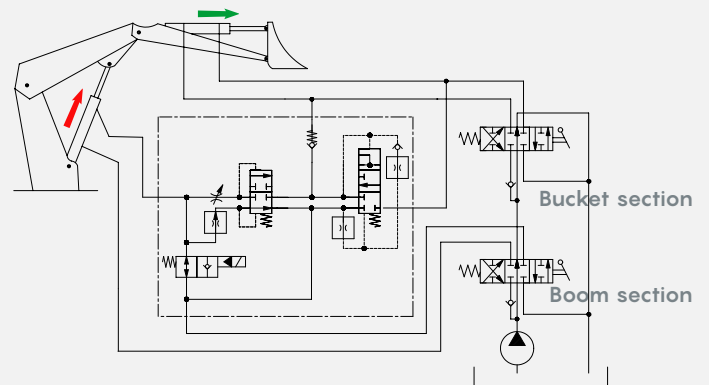
SLV141 SELF-LEVELING VALVES

FOR SKID STEER LOADERS, COMPACT WHEEL LOADERS, TRACTORS AND OTHERS AGRICULTURAL MACHINES



Walvoil's new SLV141 self-leveling valve has been specially designed to ensure self-leveling of the bucket during boom lifting operations.

Thanks to SLV141 it is possible to control and manage the bucket orientation in relation to the action of the boom lift. The new valve can be positioned parallel to the cylinders, ensuring the correct action of the operations in all working conditions.



WORKING CONDITIONS

Technical specifications and diagrams measured with mineral oil of 46 mm²/s (46 cSt) viscosity at 40°C - (104°F) temperature.



Nominal flow rating	On inlet	75 l/min - 19.8 US gpm
Max. pressure		240 bar - 3500 psi
Fluid		Mineral oil-based
Fluid temperature range	With NBR seals (BUNA-N)	from -20°C to 80°C from -4°F to 170°F
	With FPM seals (VITON)	from -20°C to 100°C from -4°F to 212°F
Viscosity	Operating range	from 15 to 75 mm ² /s from 15 to 75 cSt
	Min.	12 mm ² /s - 12 cSt
	Max.	400 mm ² /s - 400 cSt
Max. contamination level		20/18/15 - ISO 4406 NAS 1638 - class 9
Environmental temperature for working conditions		from -30°C to 60°C from -22°F to 140°F

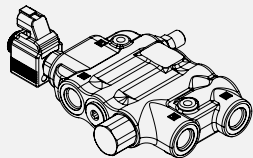
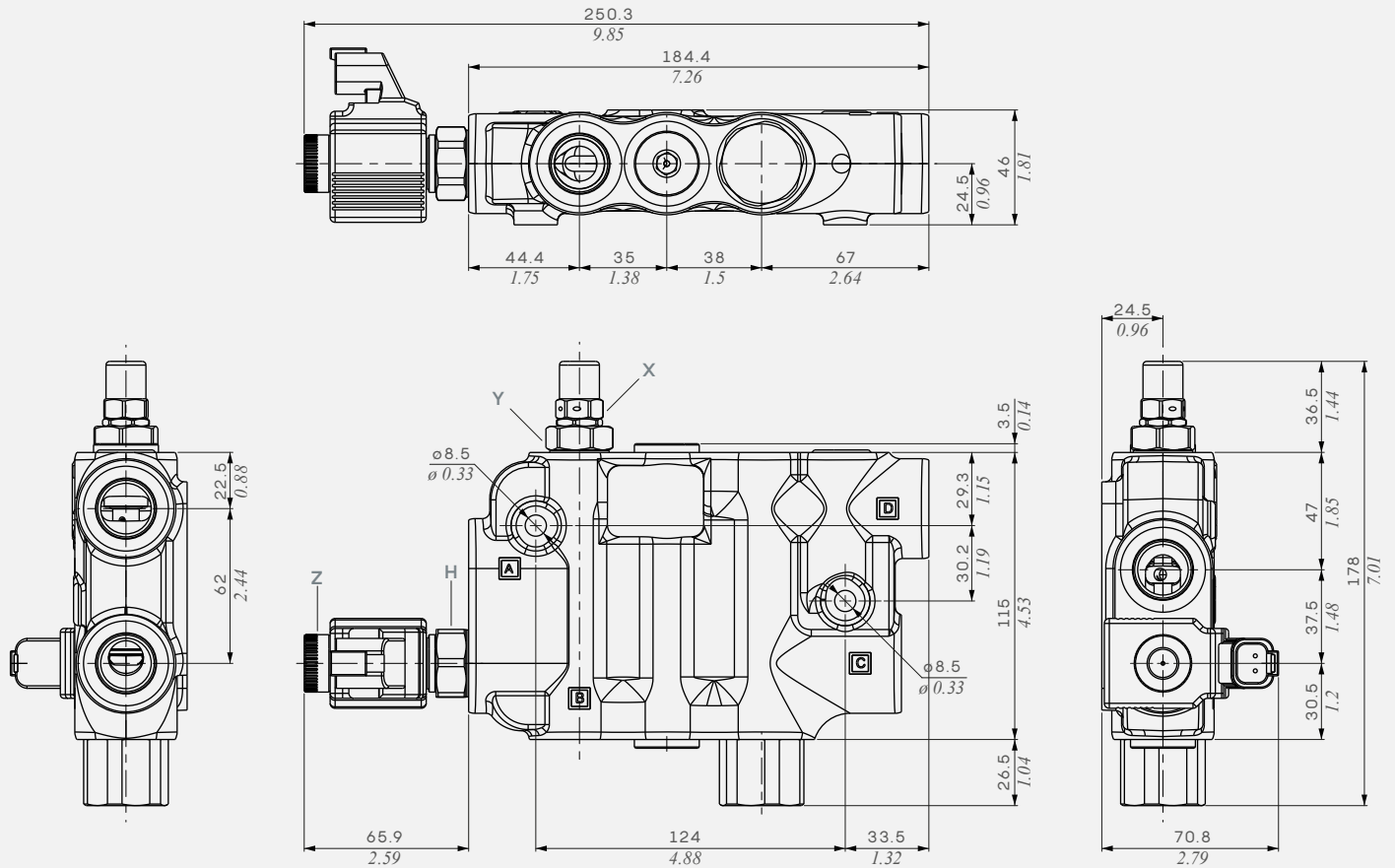
PORT THREADING	
BSP	UN-UNF
G 1/2	7/8-14 (SAE 10)
G 3/8	3/4-16 (SAE8)

REFERENCE STANDARD THREADS			
		BSP	UN-UNF
Thread according to		ISO 228/1	ISO 263
		BS 2779	ANSI B1.1 unified
Cavity Dimension According to	ISO	1179	11926
	SAE		J11926
	DIN	3852-2 shape X or Y	

SLV141 SELF-LEVELING VALVES

FOR SKID STEER LOADERS, COMPACT WHEEL LOADERS, TRACTORS AND OTHERS AGRICULTURAL MACHINES

DIMENSIONAL DATA



COIL TYPE	
	BER
Nominal voltage at 20°C	12 VDC - 24 VDC ± 10%
Nominal power at 20°C	19 W
Electrical resistance at 20°C	7.5 Ω ± 7%
Duty cycle	ED 100%
Coil thermal class according to CEI EN 60085	class H

Wrenches and tightening torques

- X = wrench 17 - adjustable orifice
- Y = wrench 24 - 24 Nm (17.7 lbf)
- H = wrench 27 - 50 Nm (37 lbf)
- Z = 5 Nm (3.7 lbf)

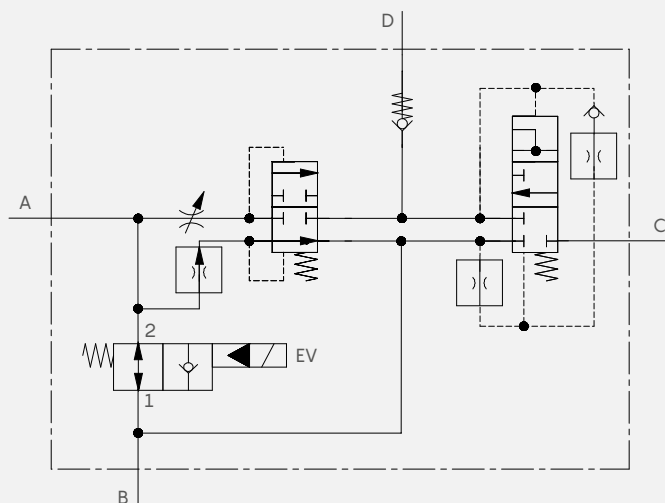
SLV141 SELF-LEVELING VALVES

FOR SKID STEER LOADERS, COMPACT WHEEL LOADERS, TRACTORS AND OTHERS AGRICULTURAL MACHINES



HYDRAULIC CIRCUITS

Standard version

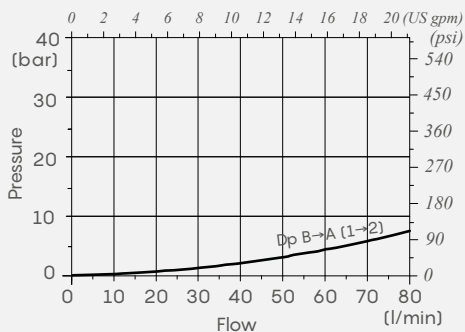


Description example:

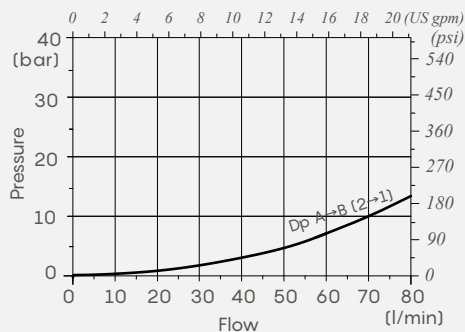
SLV141/EC10M(NO)/SAE10/NBR/12VDC-DT04-
<CVN2-MNP+ADC-EC2727-LE006/A>

PERFORMANCE DATA

By-pass valve pressure drop (EV OFF)



By-pass valve pressure drop (EV OFF)



Note: technical diagrams measured with mineral oil of 46 mm²/s (46 cSt) viscosity at 40°C - (104°F) temperature.

